

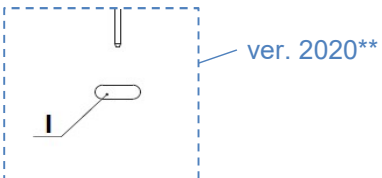
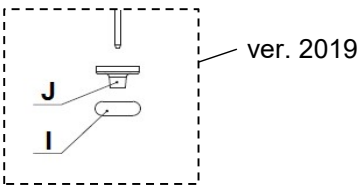
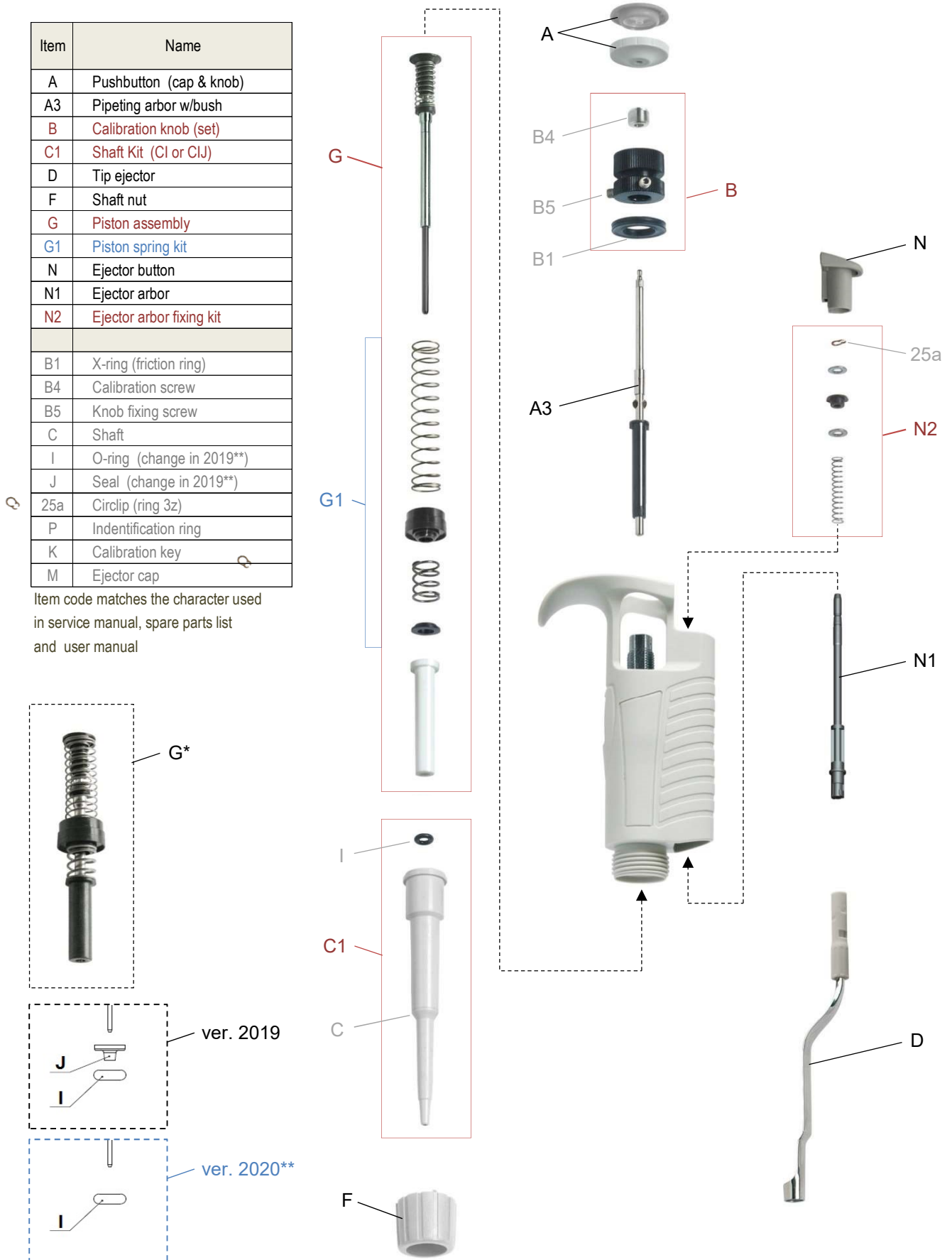
# 1a. Single-channel pipettor - models 2 ÷ 1000

Type: Basic (body) / 'turn-to-fix' tip ejector

- Quick notes:
- New O-ring - introduced in 2020 (\*\*2019 for selected brands) replaces old Seal + O-ring system in models 10 ÷ 1000 (Seal + O-ring still used in model 2!) - check service manual and piston diagram for details
  - Piston is supplied as a set of parts including spring and compression elements  
Piston 1000 (G\*) is a fixed assembly with spring and piston spring parts G1

| Item | Name                      |
|------|---------------------------|
| A    | Pushbutton (cap & knob)   |
| A3   | Pipeting arbor w/bush     |
| B    | Calibration knob (set)    |
| C1   | Shaft Kit (C1 or C1J)     |
| D    | Tip ejector               |
| F    | Shaft nut                 |
| G    | Piston assembly           |
| G1   | Piston spring kit         |
| N    | Ejector button            |
| N1   | Ejector arbor             |
| N2   | Ejector arbor fixing kit  |
| B1   | X-ring (friction ring)    |
| B4   | Calibration screw         |
| B5   | Knob fixing screw         |
| C    | Shaft                     |
| I    | O-ring (change in 2019**) |
| J    | Seal (change in 2019**)   |
| 25a  | Circlip (ring 3z)         |
| P    | Identification ring       |
| K    | Calibration key           |
| M    | Ejector cap               |

Item code matches the character used in service manual, spare parts list and user manual



# 1b. Single-channel pipettor - models 2 ÷ 1000

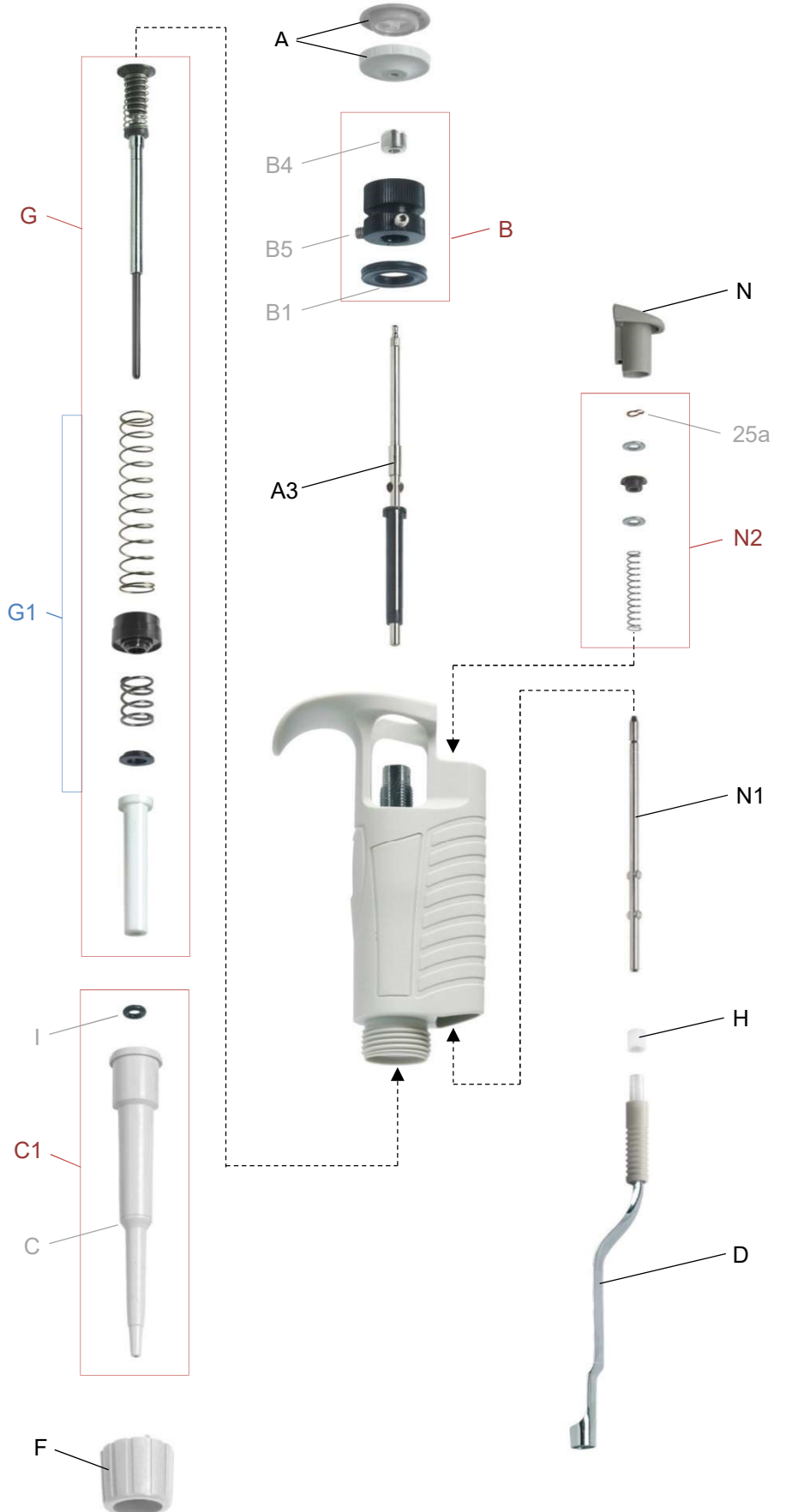
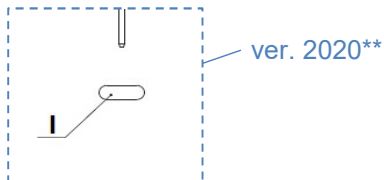
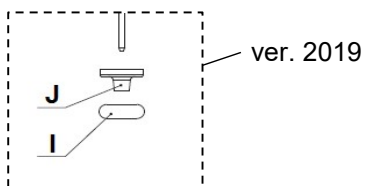
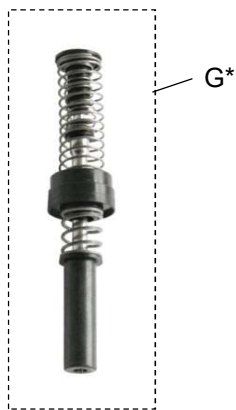
Type: Basic (body) / 'push-to-fix' tip ejector

- Quick notes:
- New O-ring - introduced in 2020 (\*\*2019 for selected brands) replaces old Seal + O-ring system in models 10 ÷ 1000 (Seal + O-ring still used in model 2!) - check service manual and piston diagram for details
  - Piston is supplied as a set of parts including spring and compression elements  
Piston 1000 (G\*) is a fixed assembly with spring and piston spring parts G1

| Item | Name                       |
|------|----------------------------|
| A    | Pushbutton (cap & knob)    |
| A3   | Pipeting arbor w/bush      |
| B    | Calibration knob (set)     |
| C1   | Shaft Kit (C1 or C1J)      |
| D    | Tip ejector                |
| F    | Shaft nut                  |
| G    | Piston assembly            |
| G1   | Piston spring kit          |
| N    | Ejector button             |
| N1   | Ejector arbor              |
| N2   | Ejector arbor fixing kit   |
| B1   | X-ring (friction ring)     |
| B4   | Calibration screw          |
| B5   | Knob fixing screw          |
| H    | Spacer for std tip ejector |
| C    | Shaft                      |
| I    | O-ring                     |
| J    | Seal                       |
| 25a  | Circlip (ring 3z)          |
| P    | Identification ring        |
| K    | Calibration key            |
| M    | Ejector cap                |

Item code matches the character used in service manual, spare parts list and user manual

Q



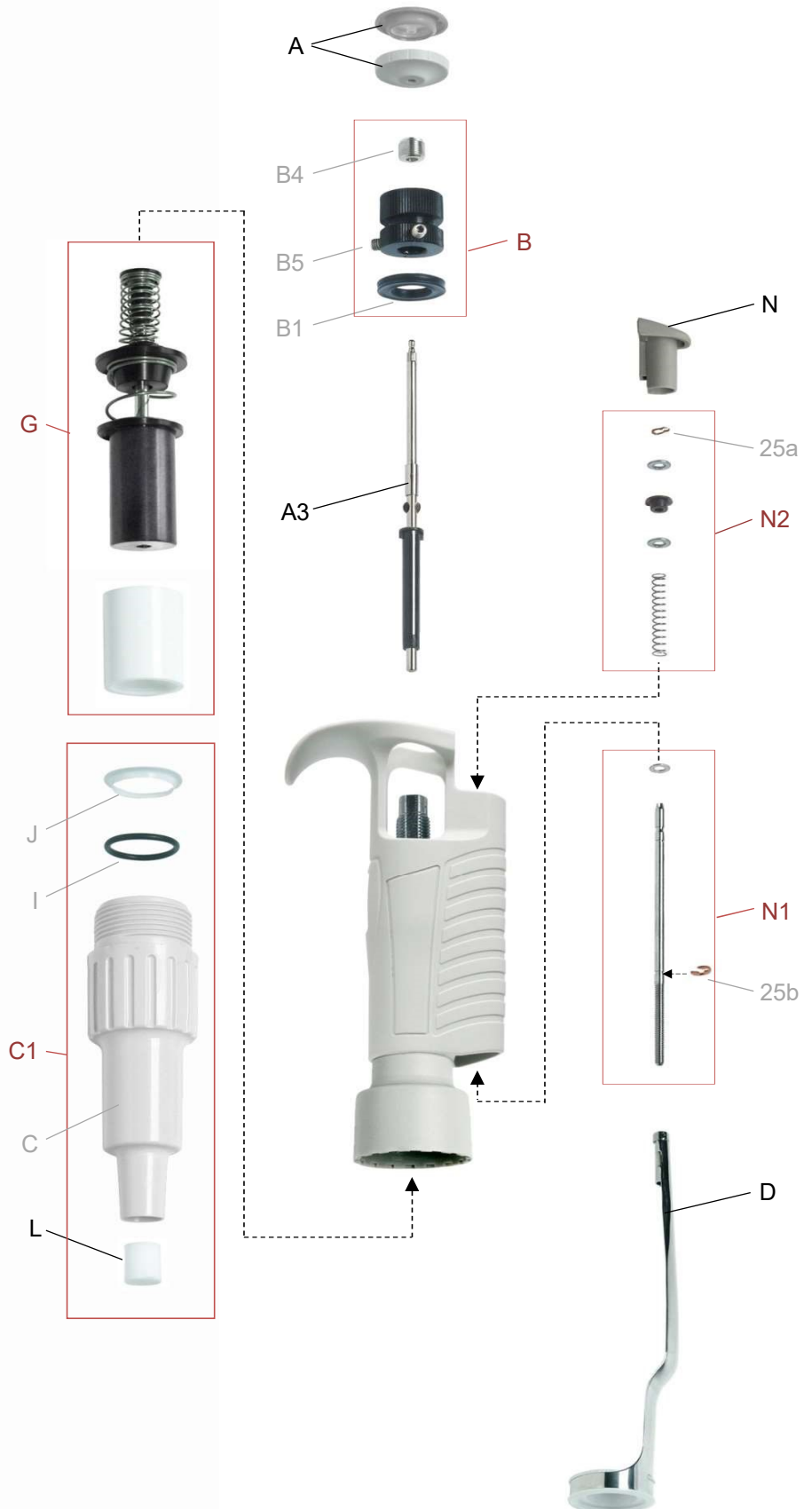
## 2. Single-channel pipette - models 5000 & 10000

Type: Basic (body) / 'screwed-in' tip ejector

- Quick notes:
- Standard Seal + O-ring solution is used in both models
  - Piston is a fixed assembly with spring and bushing (except compression bush (white))
  - Tip ejector is screwed onto the ejector arbor / To remove, take off the button N and turn 'left' the arbor N1
  - Shaft nut is integrated with the handle body / Thus, the Ejector arbor N1 is non-removable in model 10mL

| Item | Name                     |
|------|--------------------------|
| A    | Pushbutton (cap & knob)  |
| A3   | Pipeting arbor w/bush    |
| B    | Calibration knob (set)   |
| C1   | Shaft Kit (CIJL)         |
| L    | Shaft Filter             |
| D    | Tip ejector              |
| G    | Piston assembly          |
| N    | Ejector button           |
| N1   | Ejector arbor            |
| N2   | Ejector arbor fixing kit |
| B1   | X-ring (friction ring)   |
| B4   | Calibration screw        |
| B5   | Knob fixing screw        |
| C    | Shaft                    |
| I    | O-ring                   |
| J    | Seal                     |
| 25a  | Circlip (ring 3z)        |
| 25b  | E-clip (ring 2.3z)       |
| K    | Calibration key          |
| M    | Ejector cap              |

Item code matches the character used in service manual, spare parts list and user manual



# 3. Multi-channel pipette - all models

Type: Basic (body)

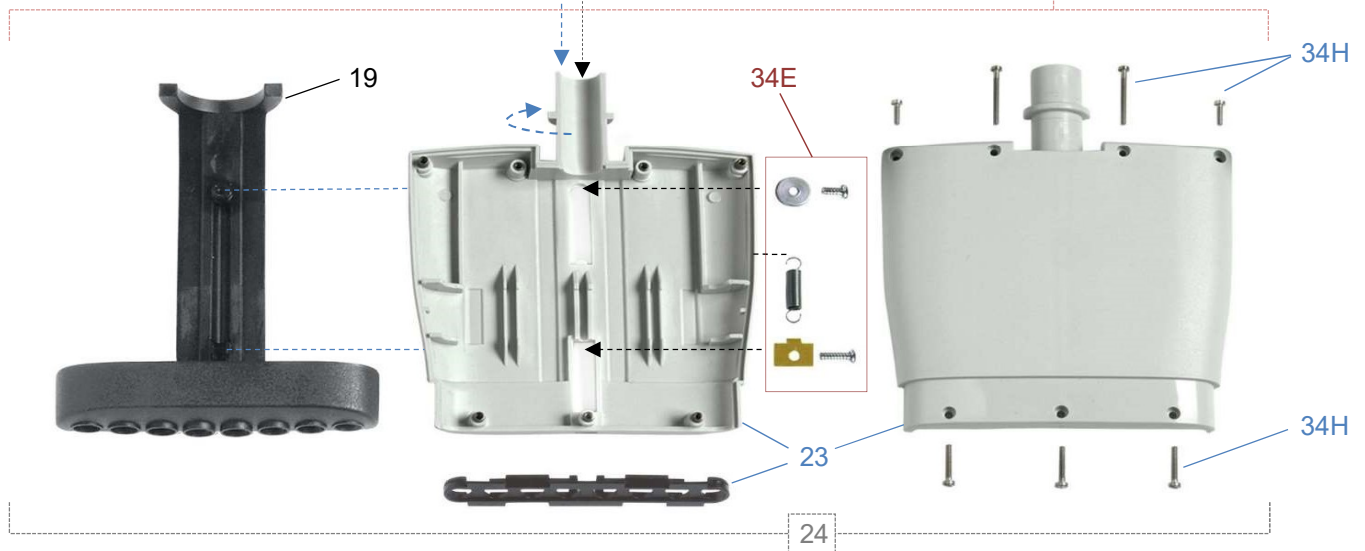
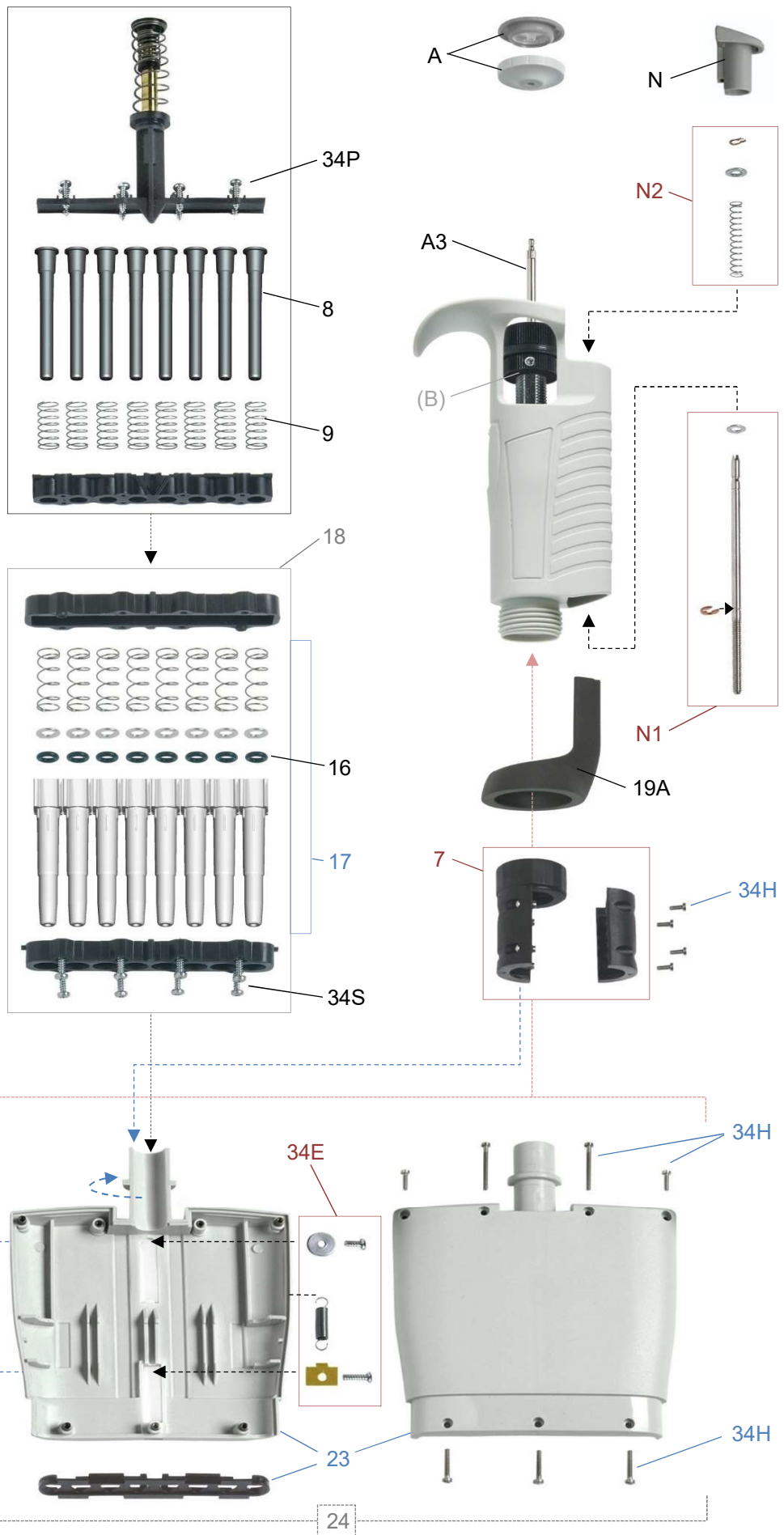
- Quick notes:
- Shaft is supplied as a kit, including compression spring & washer (that guarantee back compatibility)
  - Since 2014/2015 no external shafts are used, replaced with new version of shafts, springs and shaft box (black)

| Item                                 | Name                       |
|--------------------------------------|----------------------------|
| A                                    | Pushbutton (cap & knob)    |
| A3                                   | Pipeting arbor w/bush      |
| for parts (B) check the 1ch pipettes |                            |
| 7                                    | Manifold nut (set)         |
| 8                                    | Piston                     |
| 9                                    | Piston spring              |
| 16                                   | O-ring                     |
| 17                                   | Shaft kit***               |
| 19                                   | Tips ejector               |
| 19A                                  | Ejector pusher             |
| 23                                   | Manifold housing set       |
| N                                    | Ejector button             |
| N1                                   | Ejector arbor              |
| N2                                   | Ejector arbor fixing kit   |
| Optional:                            |                            |
| 18                                   | Shafts assembly            |
| 24                                   | Manifold housing w/ejector |
| 34H                                  | Screws for housing set*    |
| 34E                                  | Ejector mounting set**     |
| 34P                                  | Screw M2.2x9.5             |
| 34S                                  | Screw M2.2x13              |
| K                                    | Calibration key            |

Item code matches the character used in service manual, spare parts list and user manual

\* set = 5pcs of each screw size:  
4/6/10/16mm

\*\* set = 1pc of each element:  
- top screw+washer  
- bottom screw+spring+holder



## 4. All pipettors - entry level variant

Type: Basic (body) / volume setting by knob (only)

Quick notes: Elentry level variant is a pipettor equipped with basic pushbutton

- Pushbutton is a single element part with no volume indication (label)
- Pushbutton is supported with other parts, different (not compatible) to the standard version
- Parts marked RED in the diagram/table are cross-compatible

| Item | Name                   | Part numbers * |         |
|------|------------------------|----------------|---------|
|      |                        | Std            | Variant |
| A1   | Pushbutton cap         | **             | -       |
| A2   | Pushbutton knob        | SP9711*        | -       |
| A    | Pushbutton             | -              | SP9276* |
| A3   | Pipeting arbor w/bush  | SP19380        | -       |
| A3   | Pipeting arbor         | -              | SP9277  |
| B    | Calibration knob (set) | SP9309         | SP19324 |
| B1   | X-ring (friction ring) | SP9311         |         |
| B4   | Calibration screw      | SP9283         | SP9278  |
| B5   | Knob fixing screw      | SP9339         |         |

Item code matches the character used in service manual, spare parts list and user manual

- \* part number may vary between products; please check codes in the spare parts list
- \*\* part number depends on pipette volume

